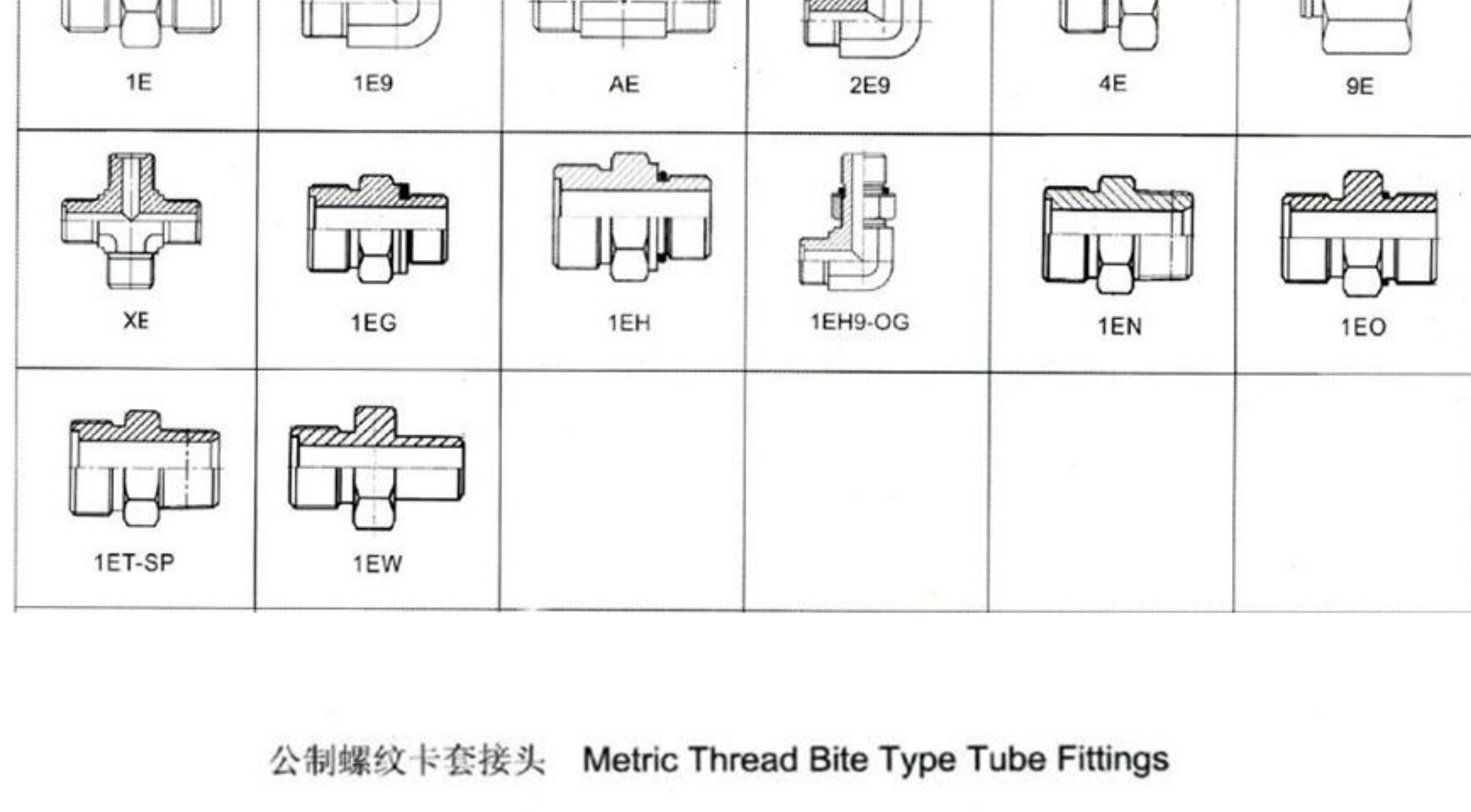


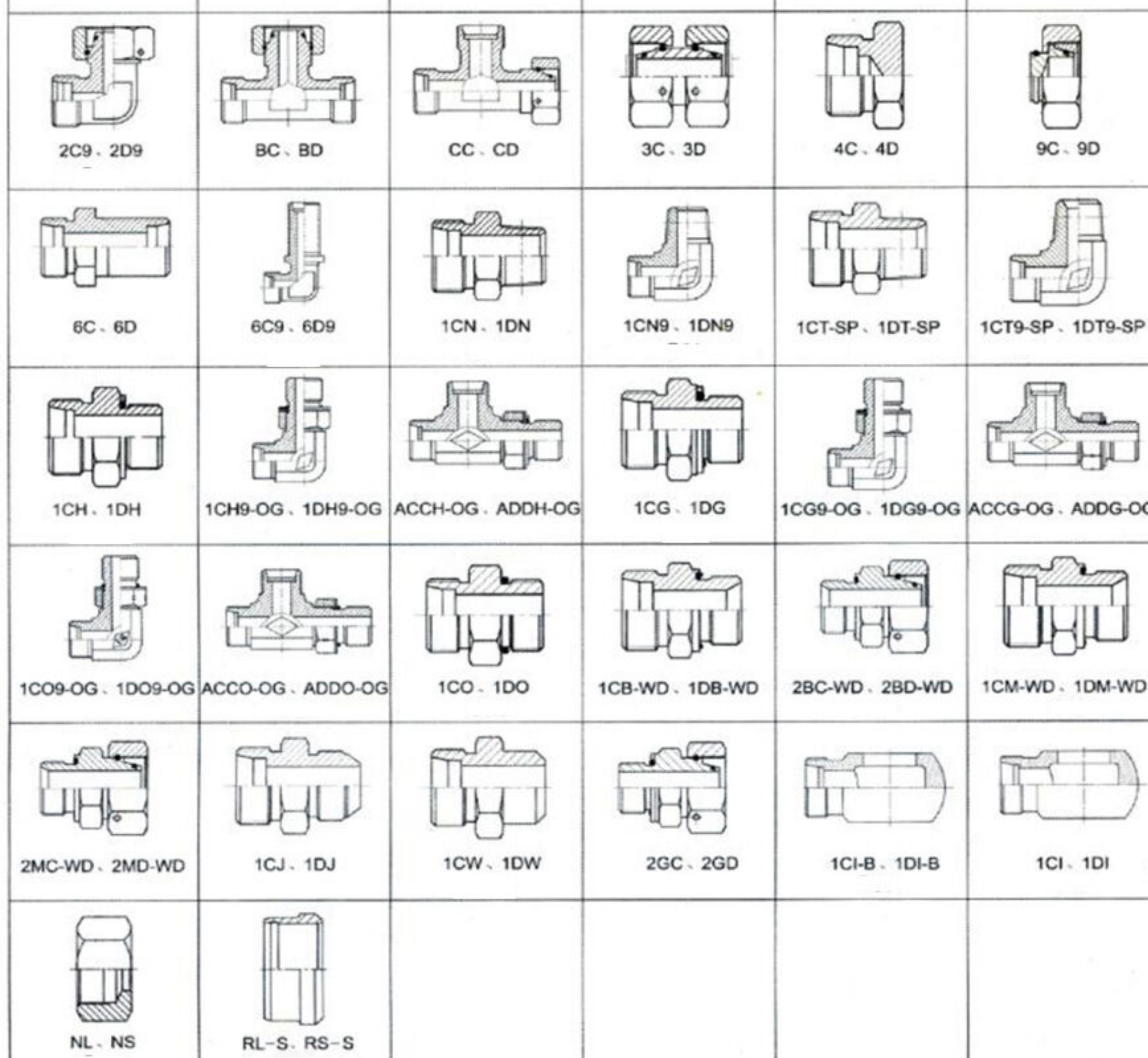
Hydraulic tube fittings

1. Metric Thread with O-Ring Seal
2. Metric Thread Bite Type
3. Metric Thread 74 degree
4. Japanese BSP Thread 60 degree
5. BSP Thread 60 degree
6. BSPT Thread
7. NPT Thread
8. JIC 74 degree
9. ORFS
10. ISO 6162 Flange Seal

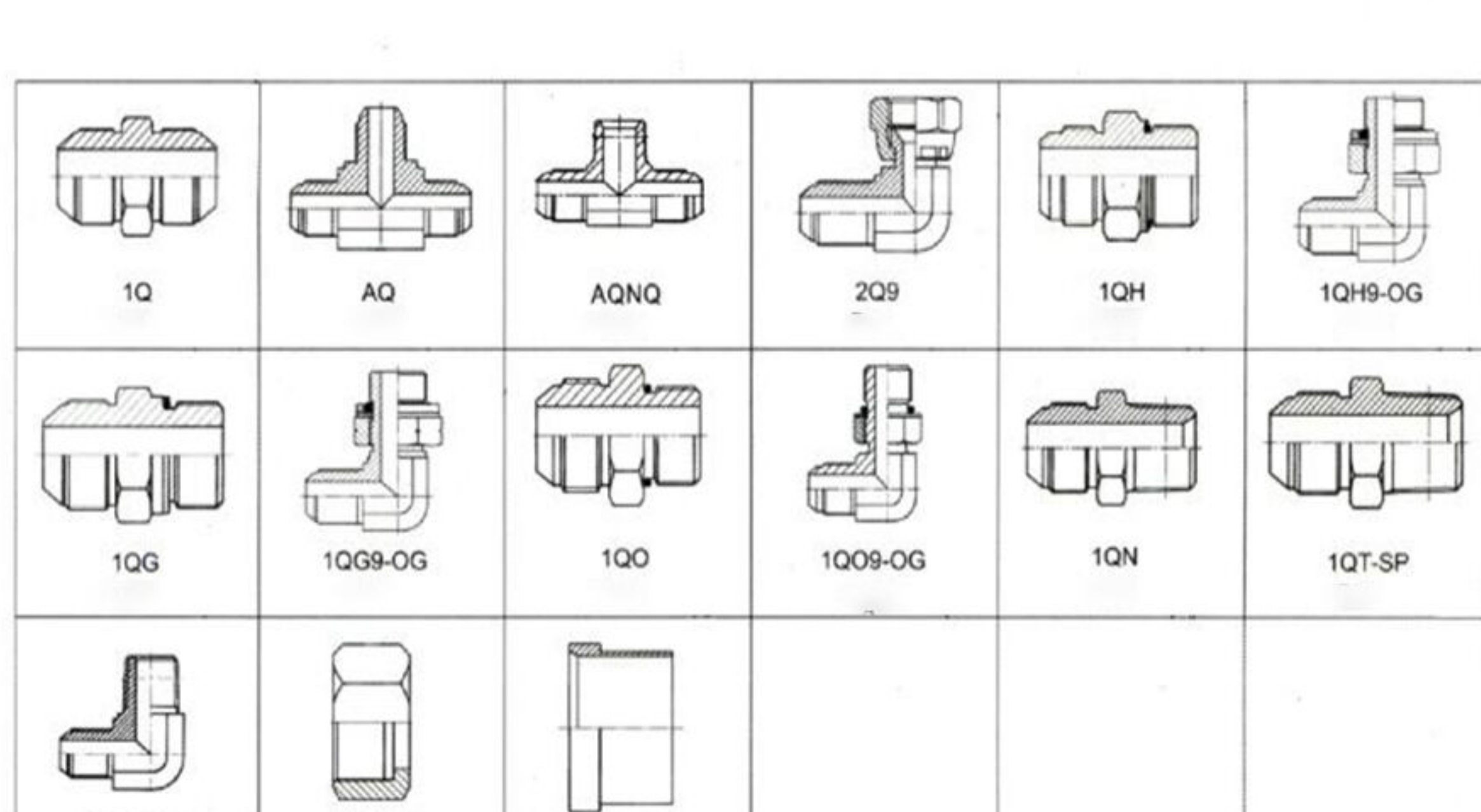
公制螺纹O形圈平面密封接头 Metric Thread O-Ring Face Seal Fittings



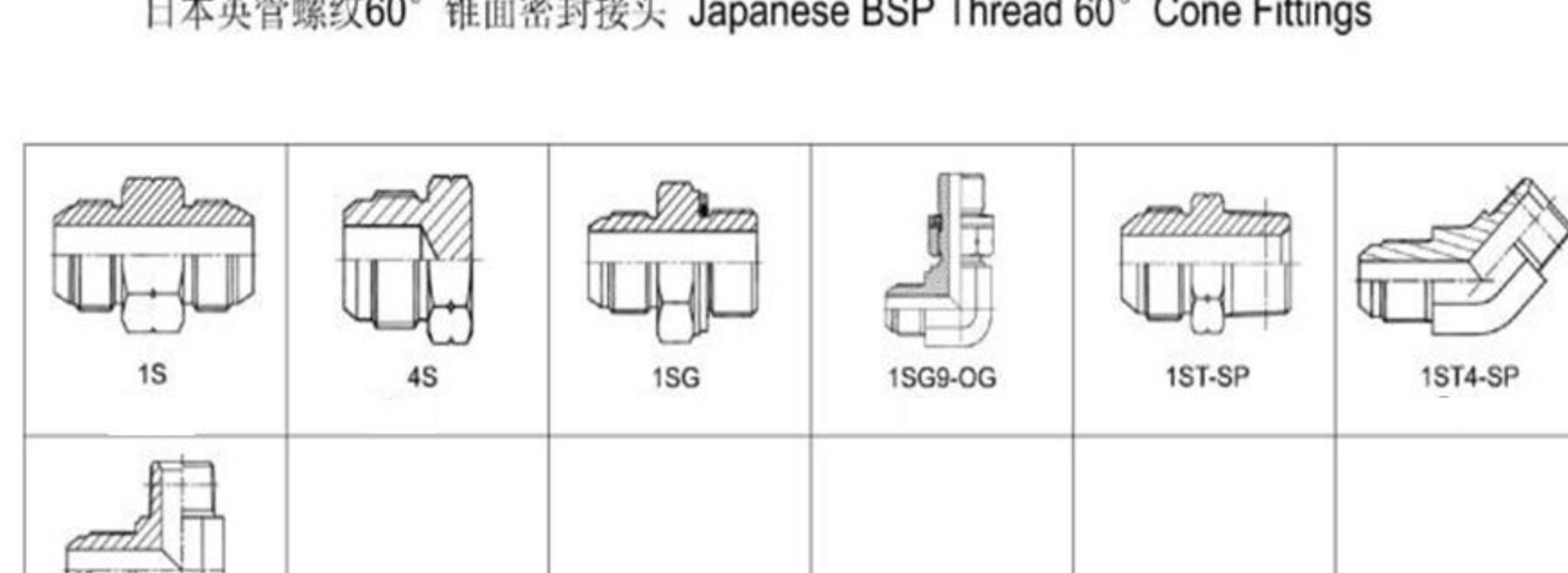
公制螺纹卡套接头 Metric Thread Bite Type Tube Fittings



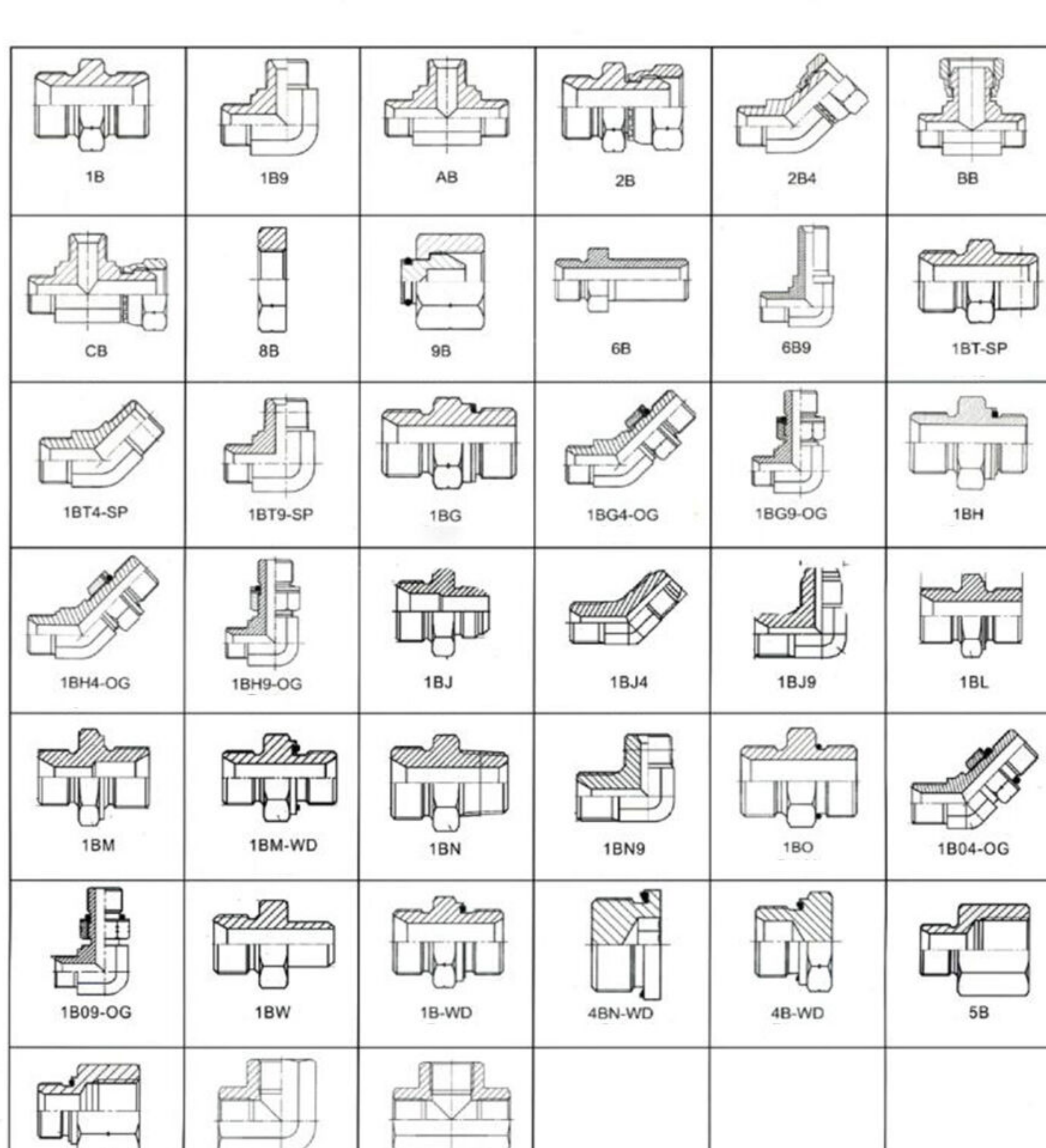
公制螺纹74° 锥面扩口密封接头 Metric Thread 74° Cone Flared Tube Fittings



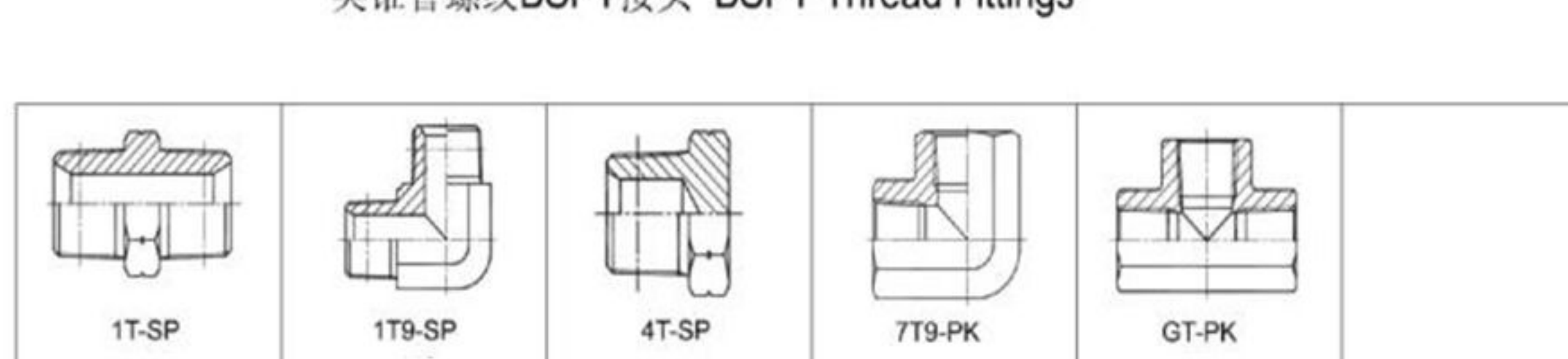
日本英管螺纹60° 锥面密封接头 Japanese BSP Thread 60° Cone Fittings



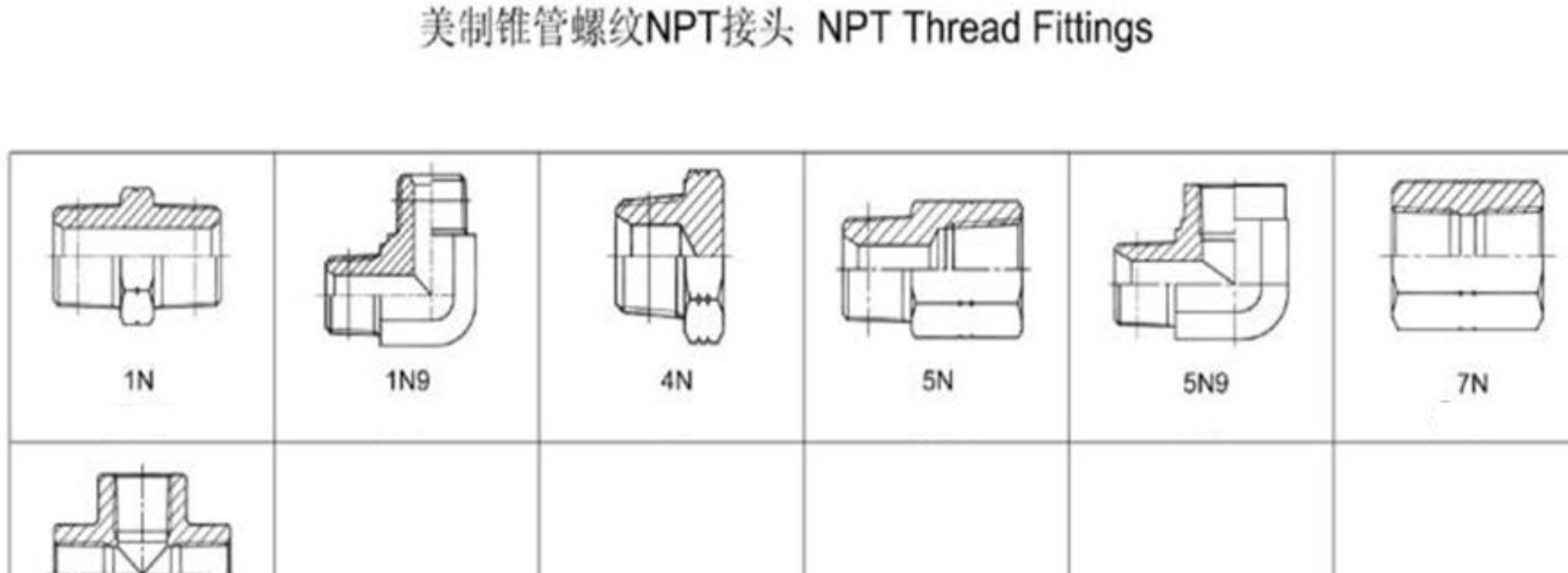
英管螺纹60° 锥面密封接头 BSP Thread 60° Cone Fittings



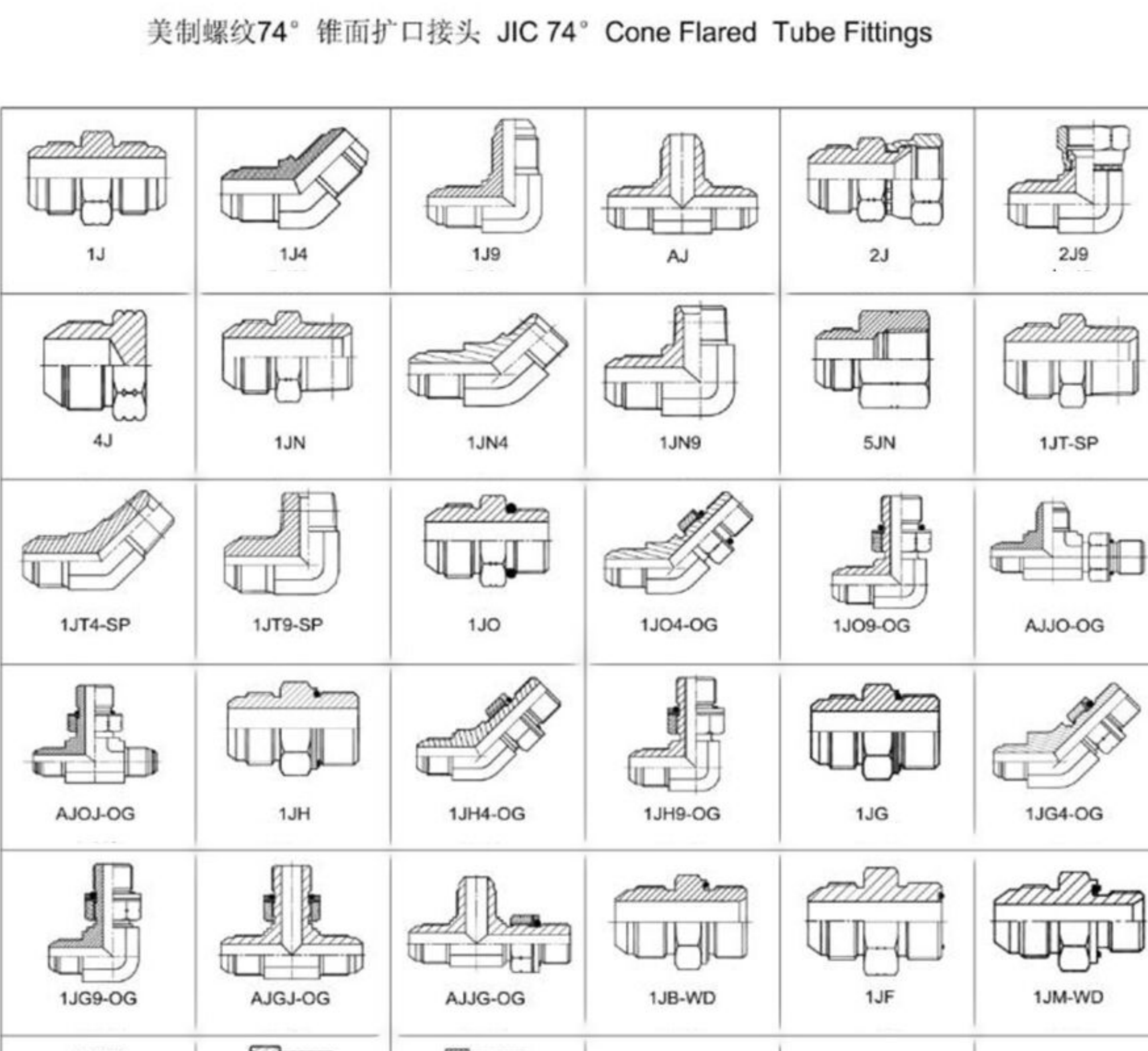
英锥管螺纹BSPT接头 BSPT Thread Fittings



美制锥管螺纹NPT接头 NPT Thread Fittings



美制螺纹74° 锥面扩口接头 JIC 74° Cone Flared Tube Fittings



美制螺纹O形圈平面密封ORFS接头 ORFS Fittings



ISO 6162 法兰接头 ISO 6162 Flange Fittings

