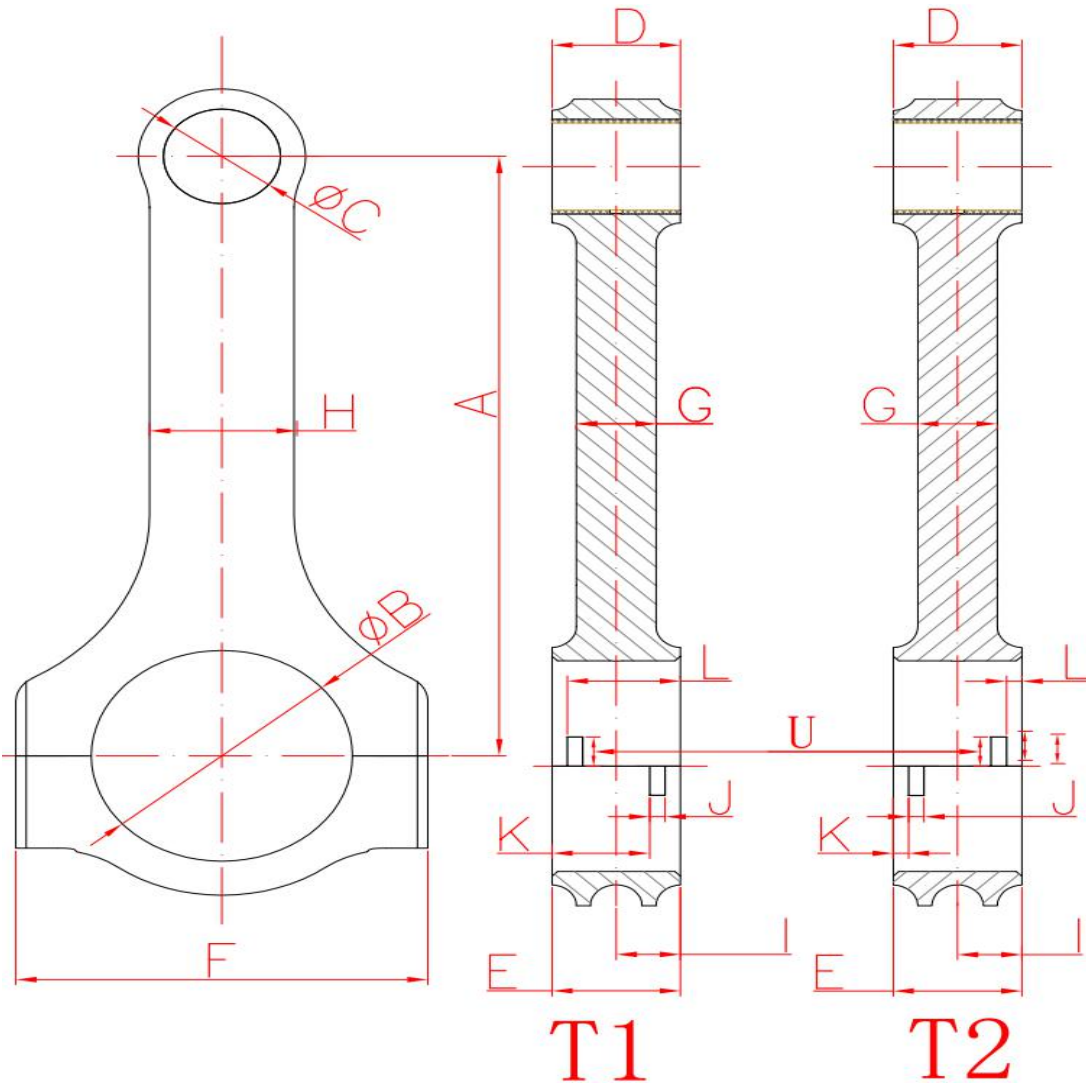




Hurricane Speed&Performance - Custom Connecting Rod Form



SPECIFY UNITS : _____MM OR IN

- | | |
|-----------------------------|--------------------------|
| A. _____ | B. _____ |
| Center to Center length/中心距 | Big End Bore/大孔 |
| C. _____ | D. _____ |
| Pin End Bore/小孔 | Pin End Width/小端厚度 |
| E. _____ | F. _____ |
| Big End Width/大端厚度 | Overall BE Width/肩宽 |
| G. _____ | H. _____ |
| Beam Thickness/杆厚 | Beam Width/杆宽 |
| I. _____ | S. _____ |
| BE Offset | T1 Or T2 反瓦/正瓦 |
| K. _____ | J. _____ |
| Tang Position | Tang Width/瓦槽宽度 |
| V. _____ | L. _____ |
| Tang Depth/瓦槽深度 | Tang Position |
| U. _____ | M. _____ |
| Tang Length/瓦槽长度 | H-beam, X-bea, I-beam/设计 |
| O. _____ | N. _____ |
| Piece/Set 支/组 | Engine Model /发动机型号 |
| P. _____ | Q. _____ |
| Bolt Diameter(Inch) /螺栓规格 | Piece (Quantity)/数量 |
| R. _____ | |
| Bolt Length(Inch) 螺栓长度 | |

